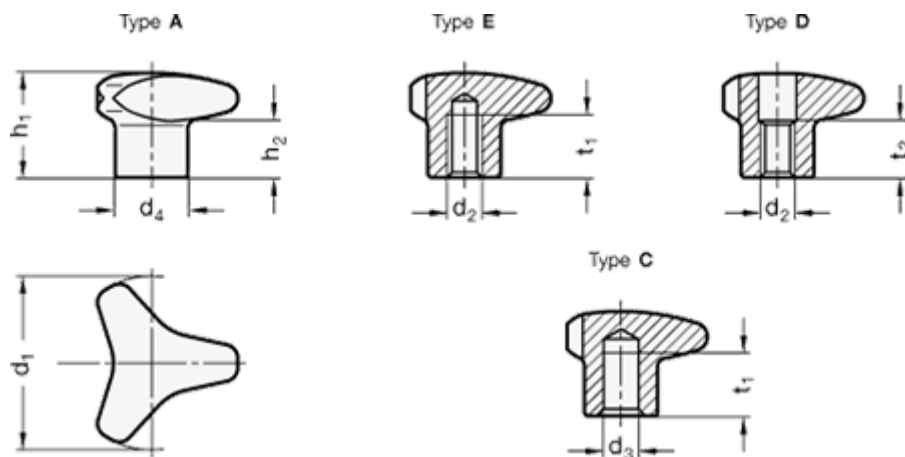


Article number: 20534550M10E

Description: E+G Three-star knobs - GN 5345-50-M10-E

Measures



d1 = 50
d2 = M10
d3 H7 = -
d4 = -
h1 = 30
h2 = 17
t1 min. = 18
t2 = -

Weight (g) = 138